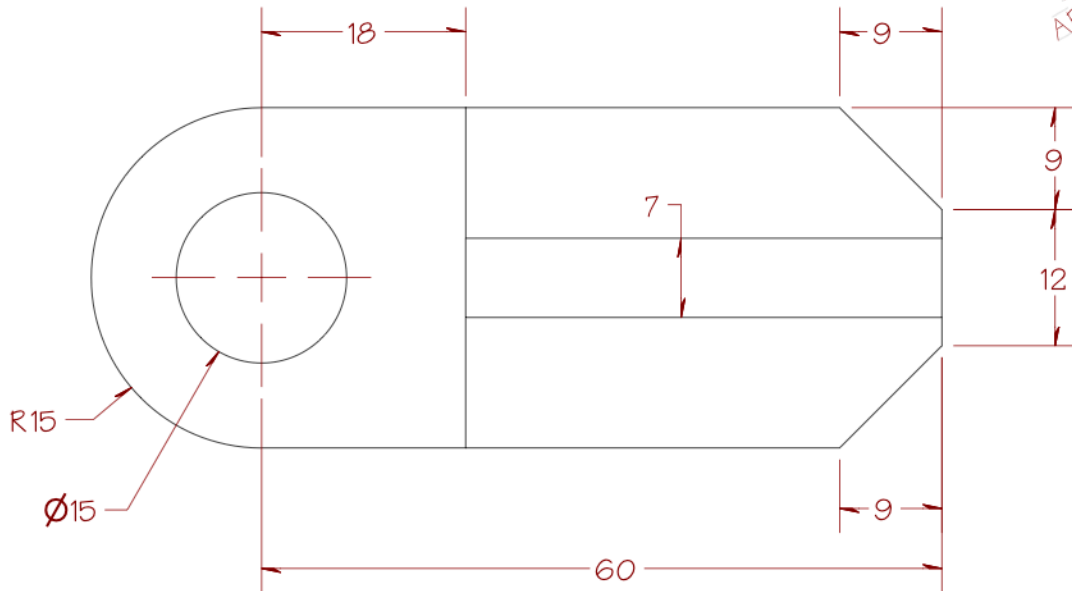

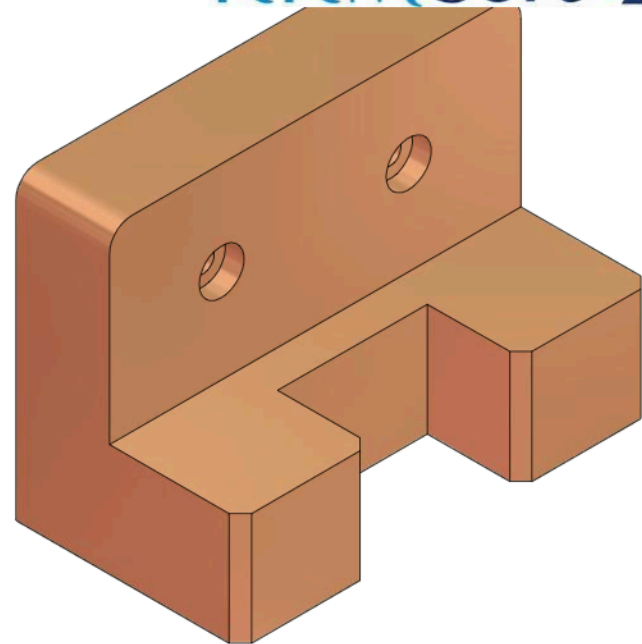
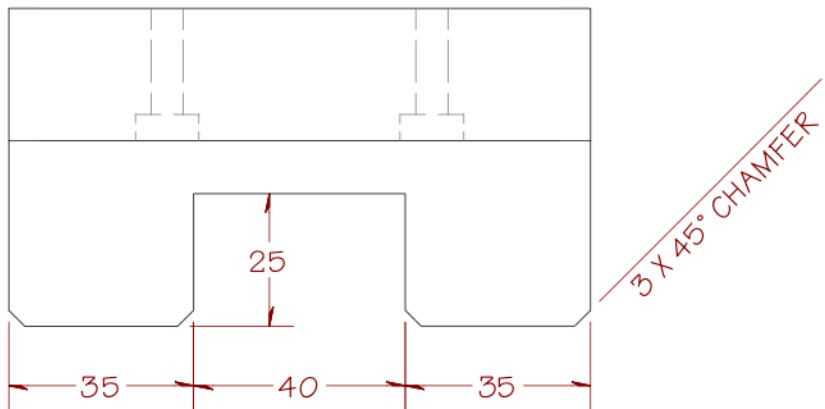


ALL DIMENSIONS
ARE IN MILLIMETERS

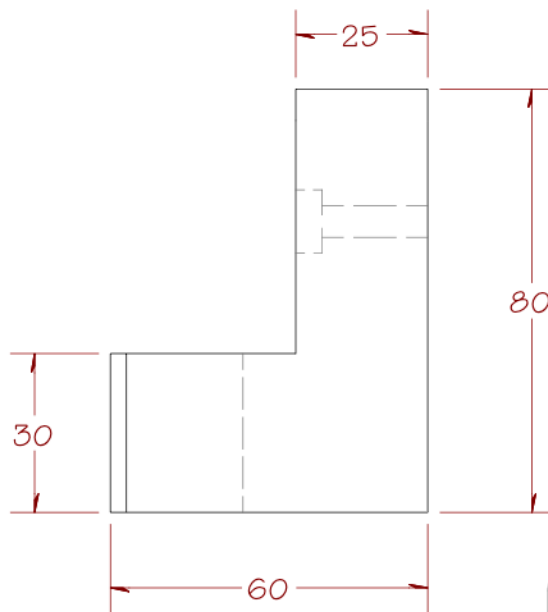
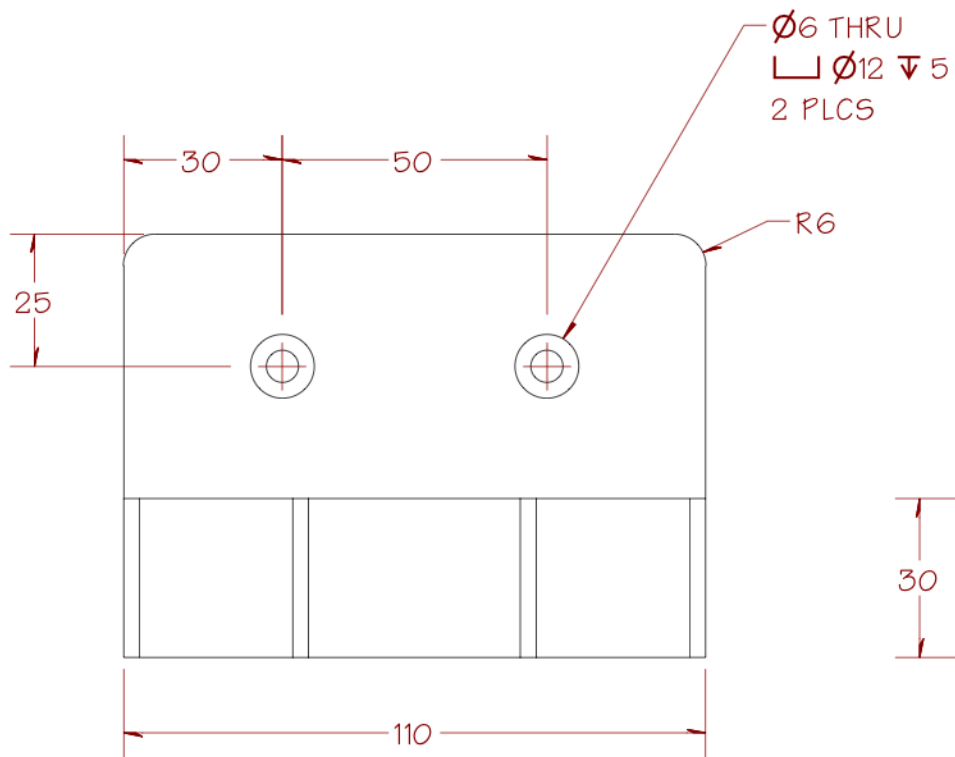


SHEET 2 OF 25

	FILE NAME Fixture Block.ipt
	DESCRIPTION Hardware, Fixture Block



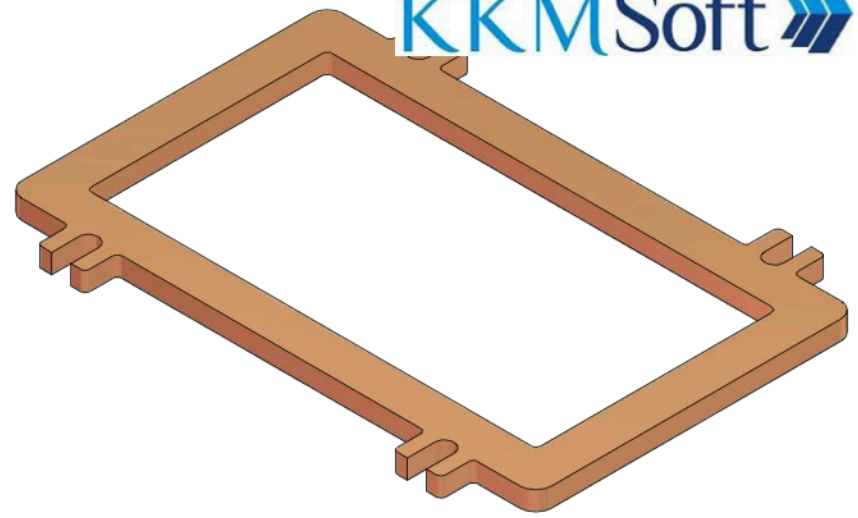
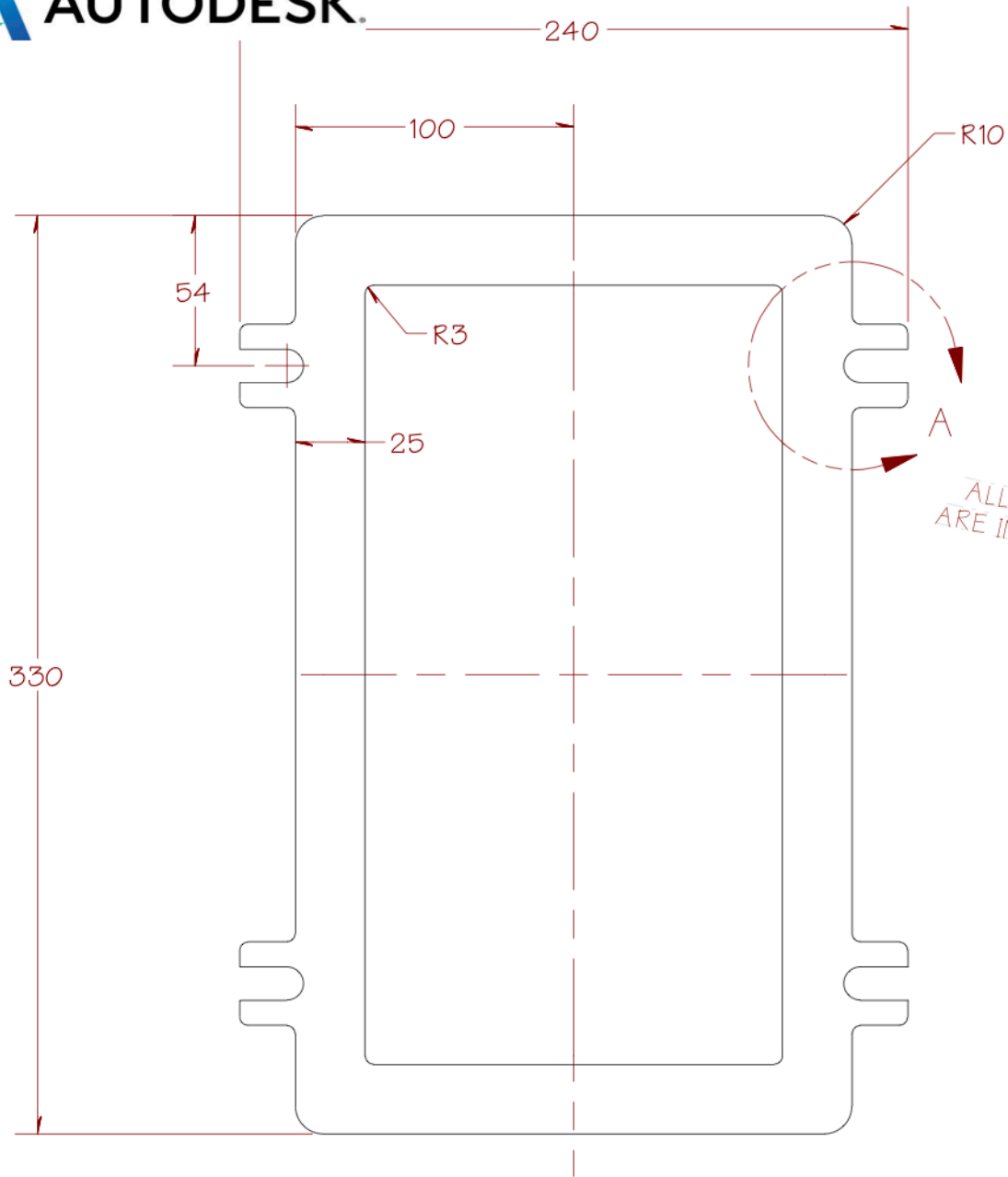
ALL DIMENSIONS ARE IN MILLIMETERS



SHEET 3 OF 25

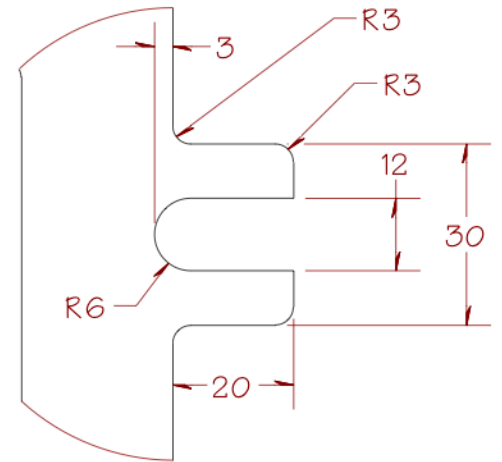
FROM THE DESK OF CURTIS WAGUESPACK

FILE NAME	Mount Bracket.ipt
DESCRIPTION	Hardware, Bracket



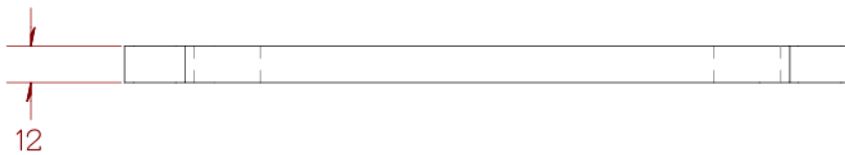
ALL DIMENSIONS
ARE IN MILLIMETERS

NOTCH DETAIL TYPICAL
4 PLCS



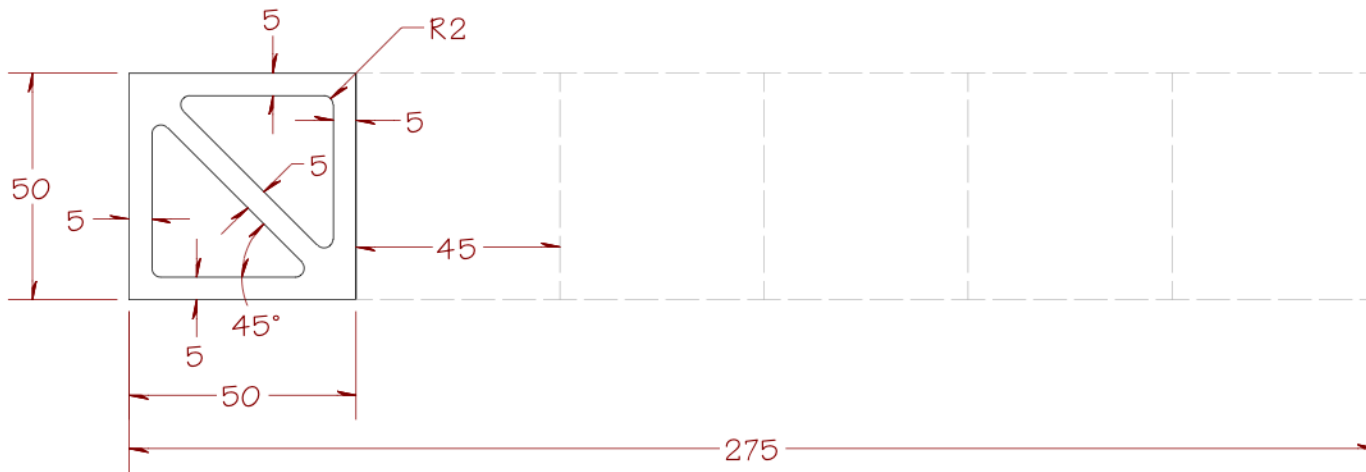
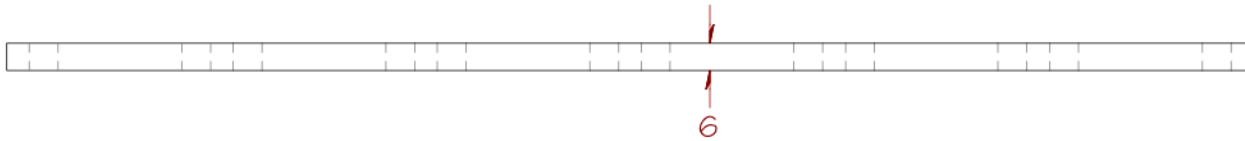
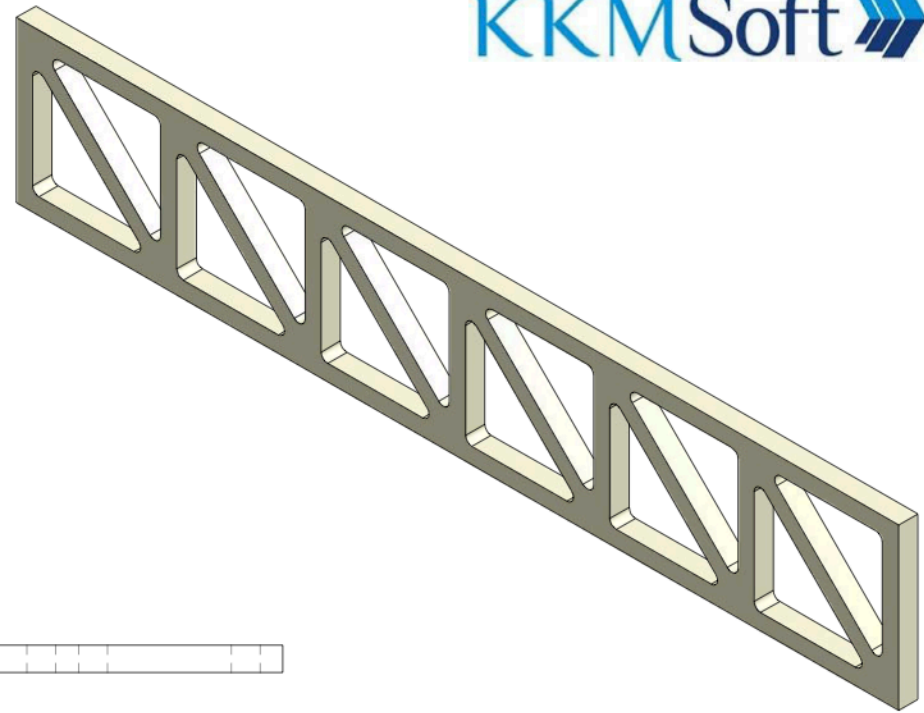
DETAIL A

SHEET 6 OF 25



FROM THE DESK OF CURTIS WAGUESPACK	FILE NAME Hopper Flange.ipt
	DESCRIPTION Laser Cut, Hopper Flange, Copper

ALL DIMENSIONS
ARE IN MILLIMETERS



CREATE ONE UNIT AS SHOWN
THEN PATTERN 6X

SHEET 14 OF 25

FROM THE DESK OF CURTIS WAGUESPACK

FILE NAME	Truss Flange.ipt
DESCRIPTION	Component, Truss Flange, ABS