

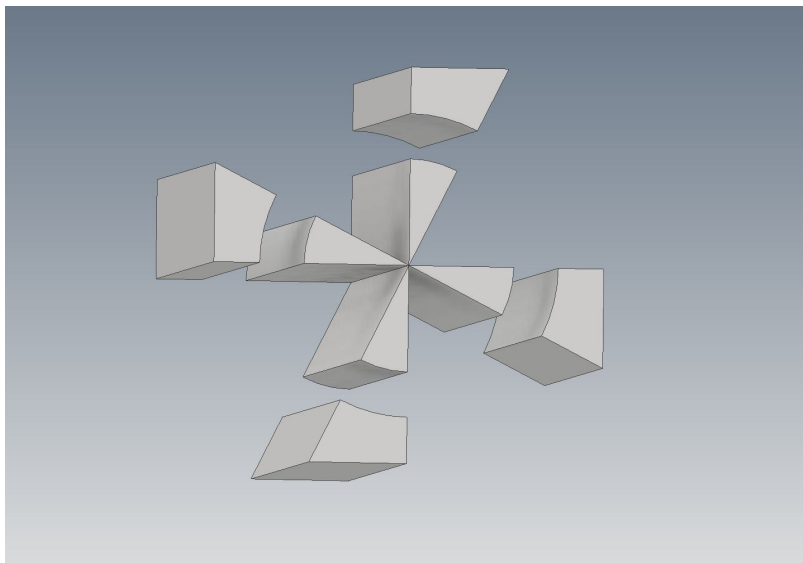


SKETCHING AND EXTRUDING

CAD — Rohawks 3419 — Lili and Chris

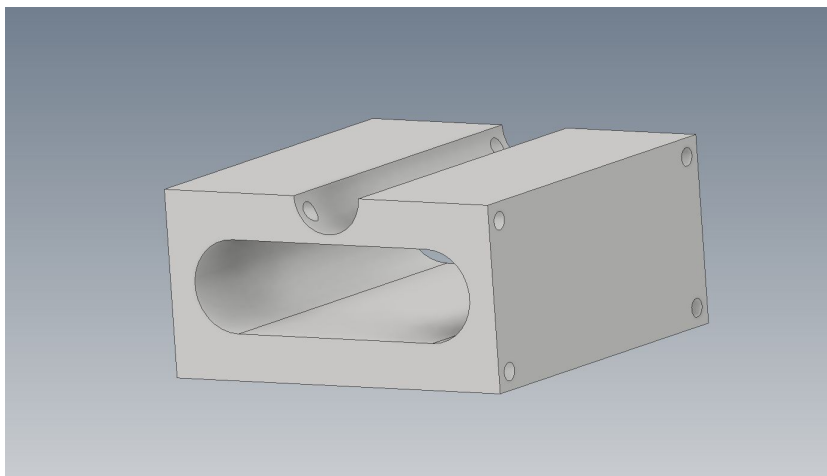
Using your basic sketching cheat sheet, googling skills, and ability to press random buttons and see what they do, we challenge you to recreate your own versions of the solids below! They'll get harder as they go on, and there will be some challenge problems at the end that use features we haven't covered in class. Have fun and feel free to ask us any questions you have! :)

Problem 1:



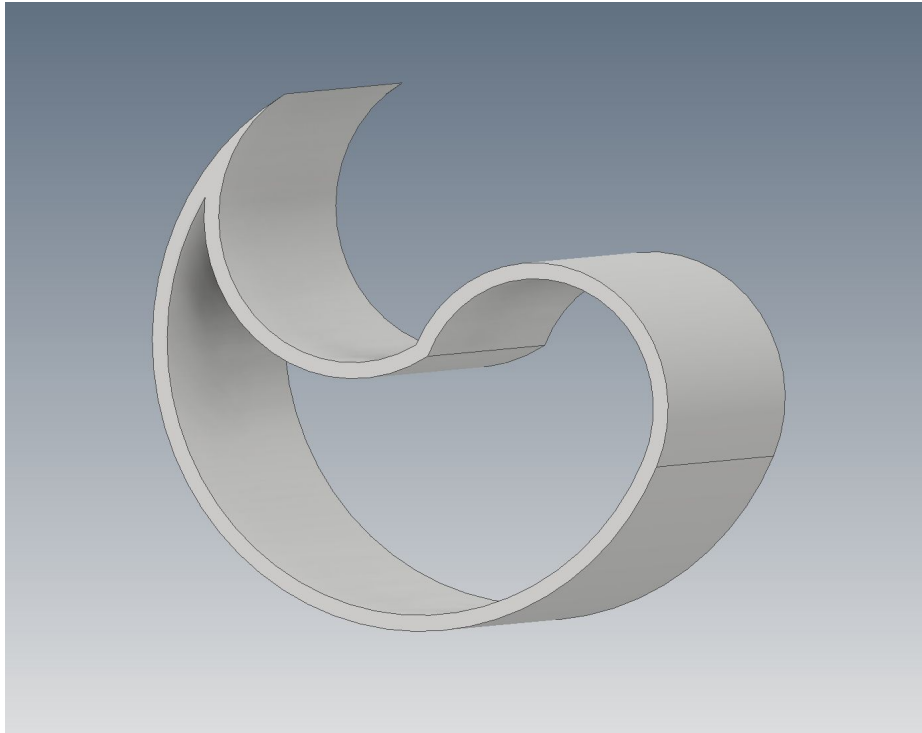
Bonus: Can you figure out how to do this with only 6 shapes sketched?

Problem 2:



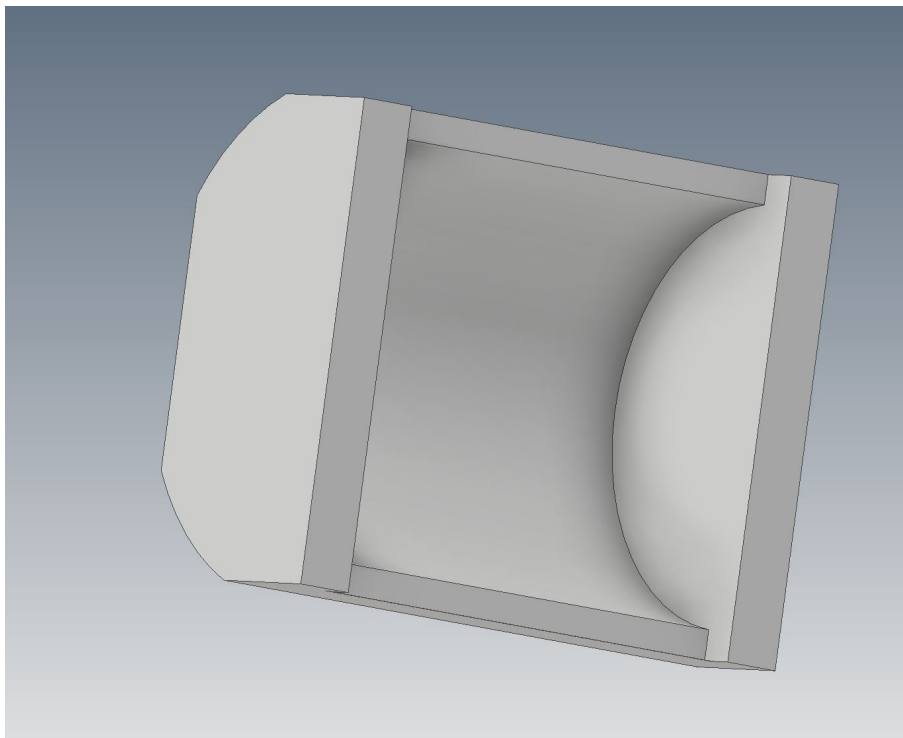
Bonus: Can you figure out what tool to use to make the middle hole in one go?

Problem 3:



Bonus: Can you figure out how to use the offset tool to make this shape?

Problem 4:



Bonus: Can you figure out how to make new planes? (This will make this solid slightly simpler to create)