

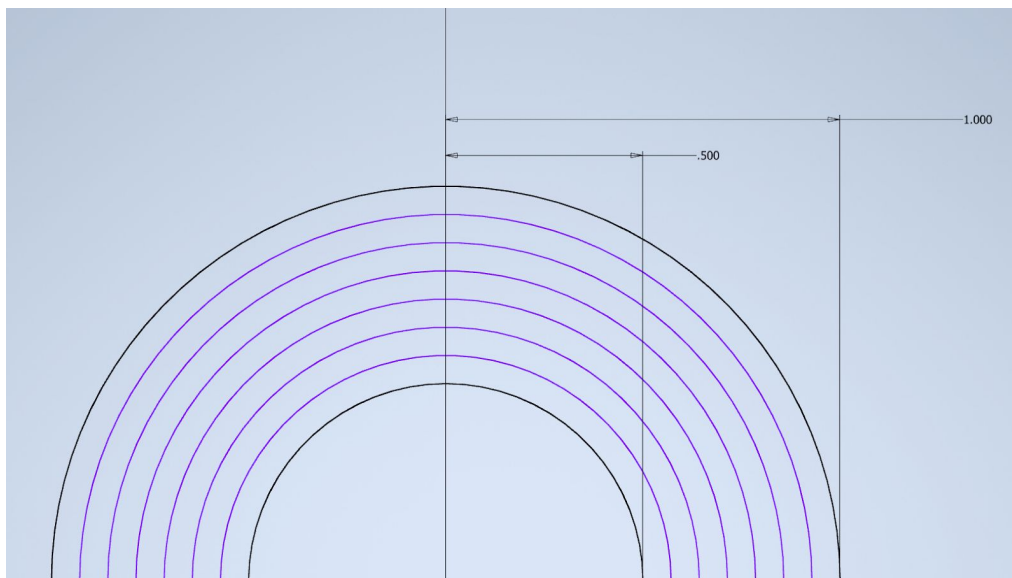


DIMENSIONS AND CONSTRAINTS

Intro to CAD — Rohawks 3419 — Donovan and Brian

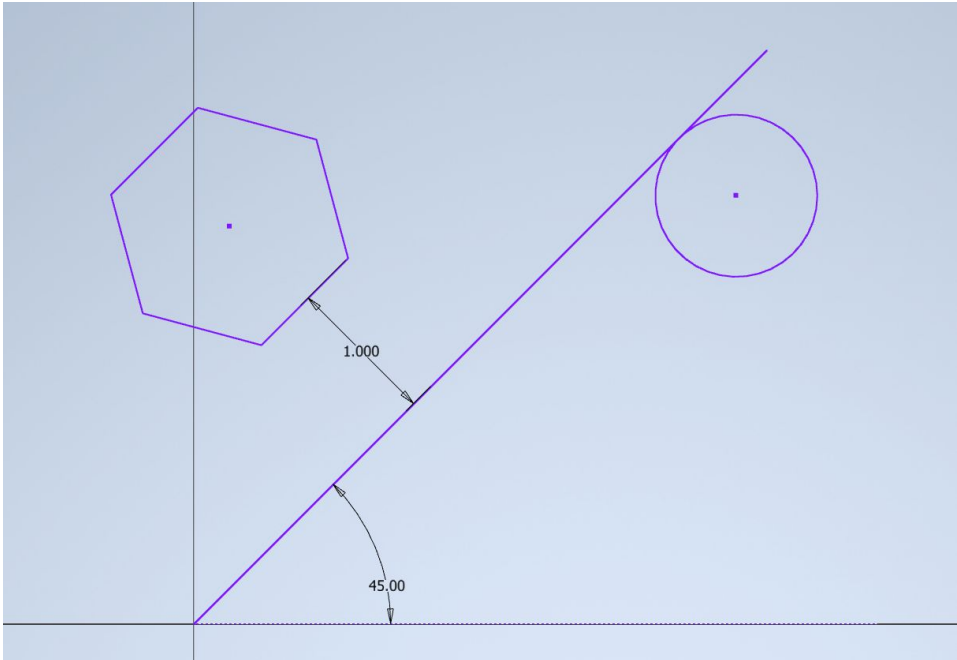
Using your basic sketching cheat sheet, googling skills, and ability to press random buttons and see what they do, we challenge you to recreate your own versions of the solids below! They'll get harder as they go on, and there will be some challenge problems at the end that use features we haven't covered in class. Have fun and feel free to ask us any questions you have! :)

Problem 1:

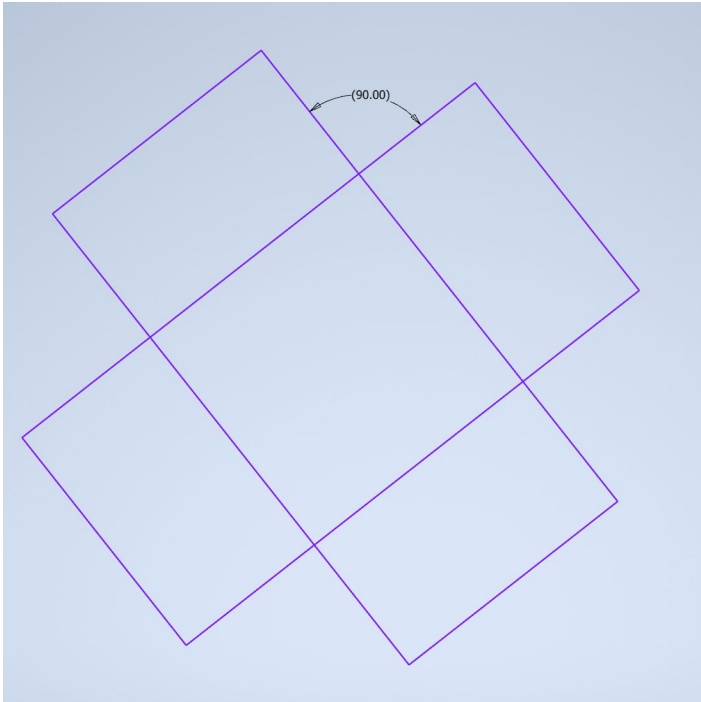


Bonus: Try making the spacing between each of the arcs the same!

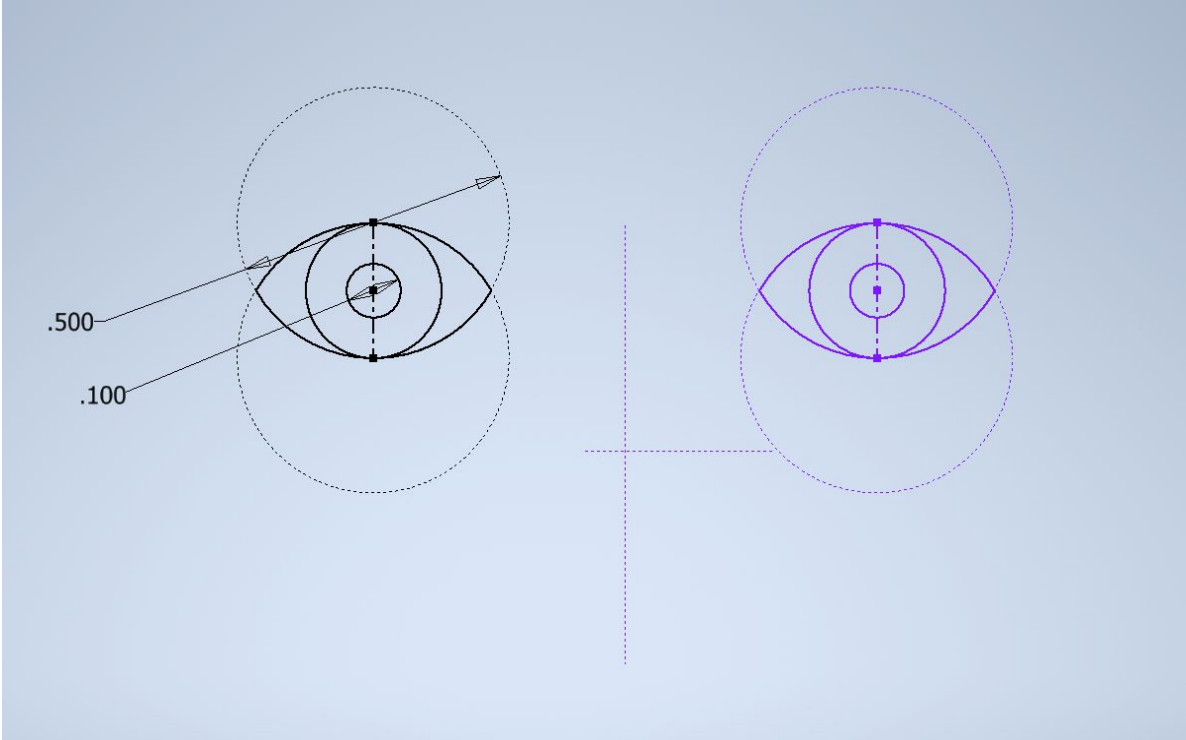
Problem 2:



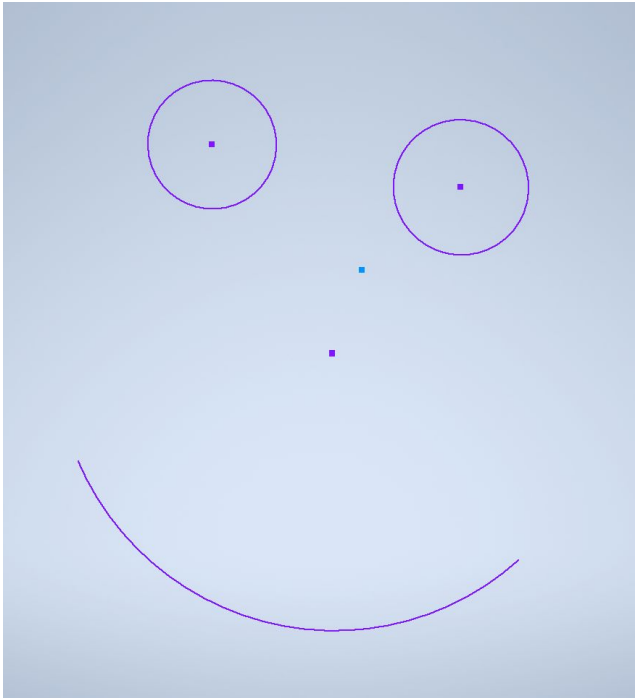
Problem 3: The rectangles are congruent



Problem 4: Make sure that the two inner circles are concentric



Problem 5: Place two random circles for eyes (not at the origin), and then an arc for the mouth.



Lock the eyes together, make the center of the arc at the center of the left eye, lock the center of the left eye to the origin, horizontally align the centers of the two circles, and add these dimensions.

