



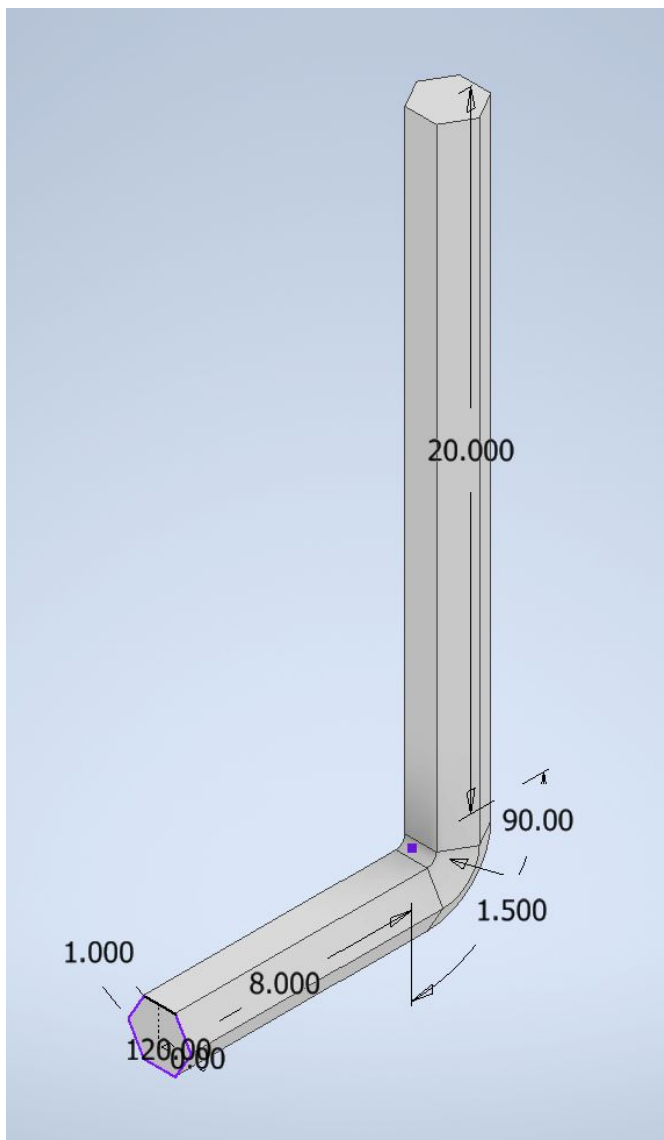
SWEEP AND LOFT

Advanced CAD — Rohawks 3419 — Donovan and Brian

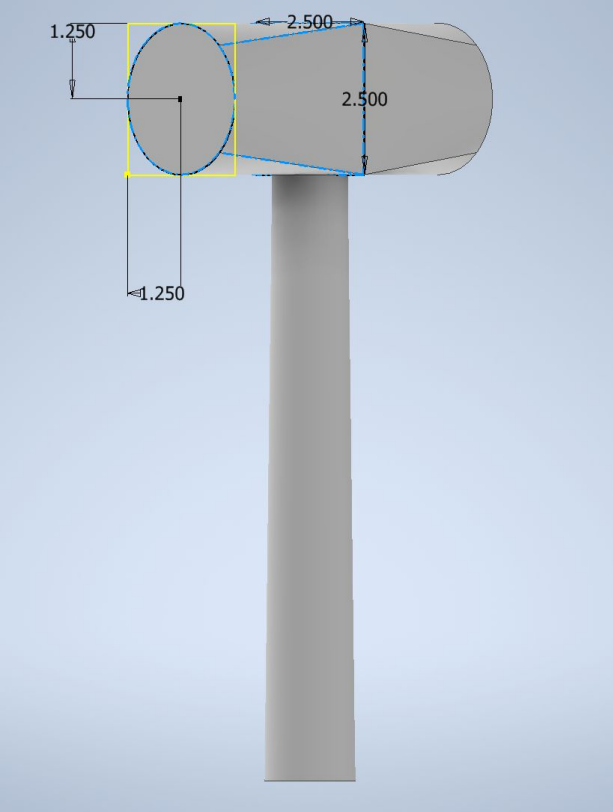
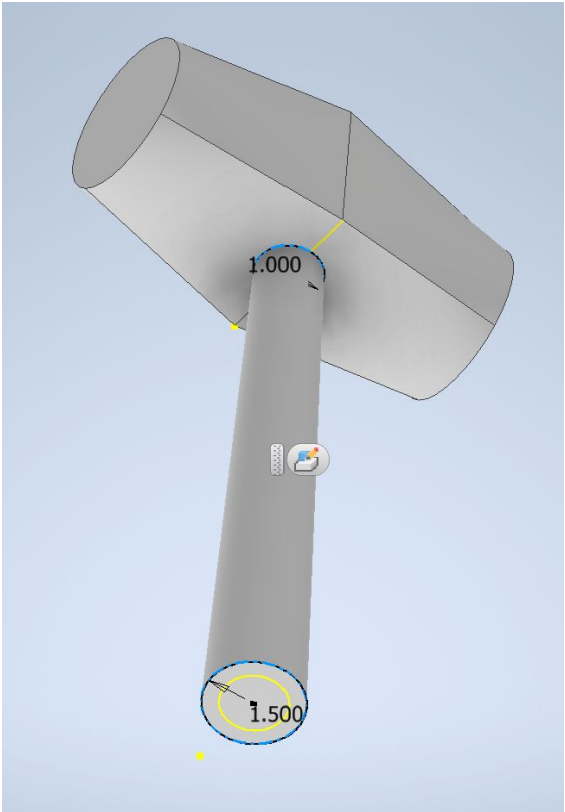
Things are getting pretty wild with the sweep and loft tools, but using the Advanced Extruding video, your googling skills, and ability to press random buttons and see what they do, we think you can make your own versions of the solids on this sheet. Have fun and feel free to ask us any questions you have! :)

Problem 1:

Hex Key



Problem 2:
Mallet



Problem 3:

Pretend you're 3d printing a brick. It happens to have a wire running through it on the left and an oddly shaped shaft running through it on the right. The shaft is unlike any you've seen before: it starts as a hexagon and slowly transitions into a circle. (Celina Wu, 2019-2020 Co-Captain)

