

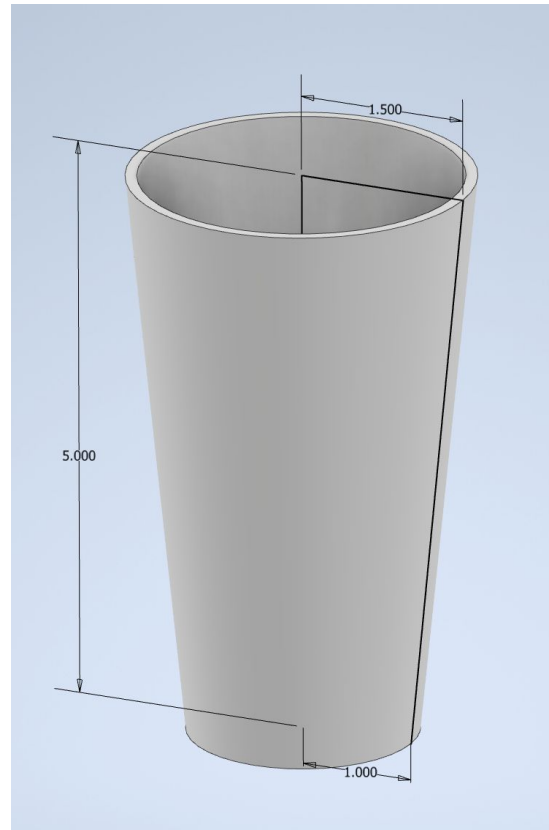
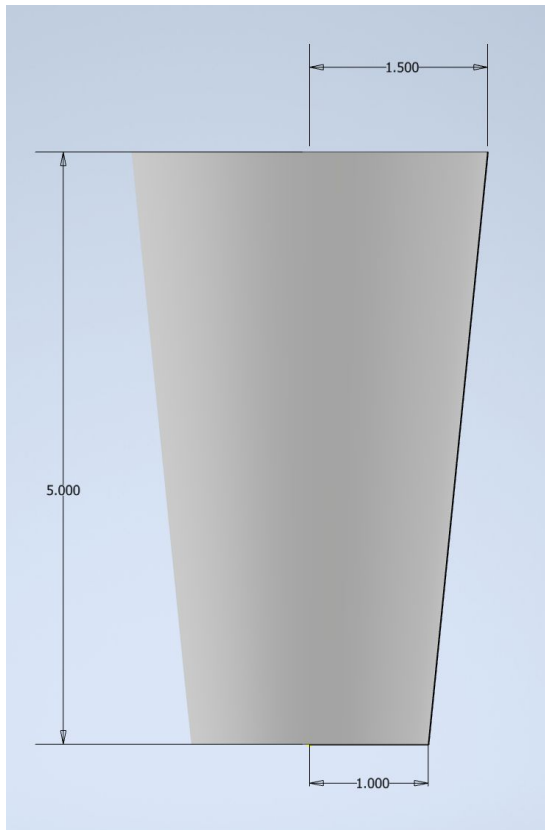


3D TECHNIQUES

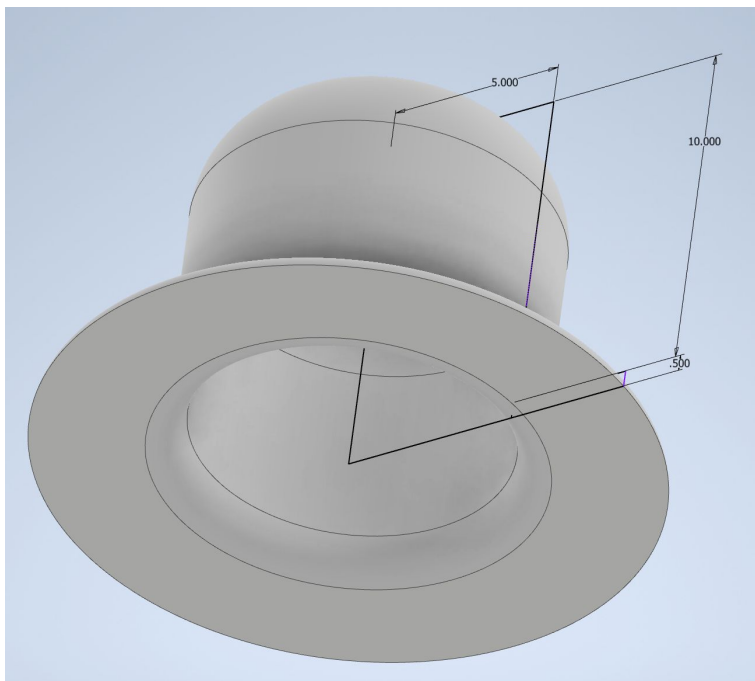
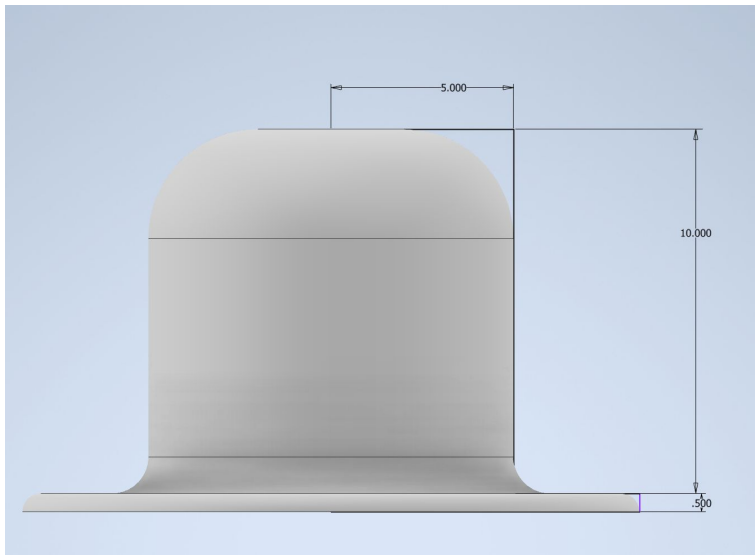
Advanced CAD — Rohawks 3419 — Donovan and Brian

Using the YouTube videos, your googling skills, and your ability to press random buttons and see what they do, we challenge you to recreate your own versions of the solids below! They'll get harder as they go on. Have fun and feel free to ask us any questions you have! :)

Problem 1:



Problem 2:



Problem 3:

